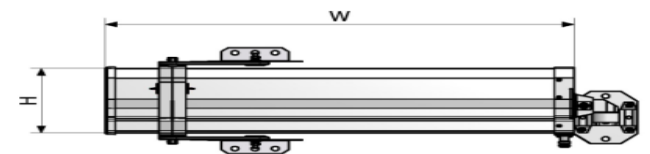
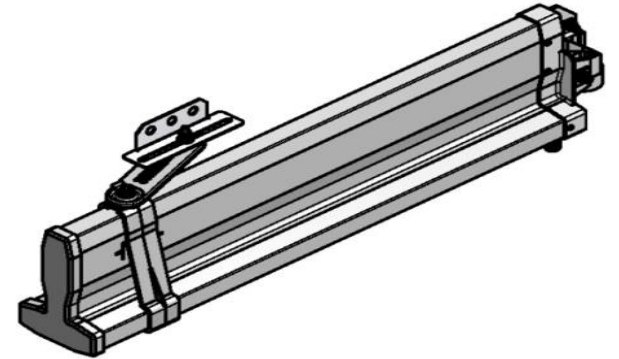


3.5G Only Yagi MIMO Antenna

3350~3900MHz / 16dBi

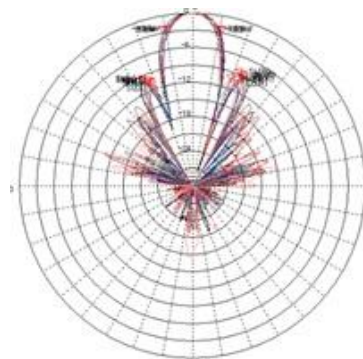
Yagi_16dBi_MIMO_3.5Ghz

i. Electrical Specification		
Frequency Range (MHz)	3350~3900	
Polarization	V/H	
Band Width	550 MHz	
Gain	≥ 16dBi	
Beam width	Horizontal	13°~33°
	Vertical	13°~33°
F-B ratio	Horizontal @180 ± 30°	15dB
	Vertical @180 ± 30°	15dB
Isolation	≥ 15dB	
VSWR	1 : 1.6	
Impedance	50 Ω	
Maximum input power	200 W	

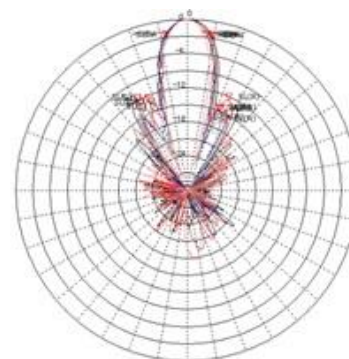


ii. Mechanical Specification	
Radom Dimension (WxDxH)	810 x 100 x 160 mm (LGU+규격: 1000 x 120 X 170 mm)
Weight (without clamp)	≤ 5Kg
Connector Type	N-Female x 2
Withstand Wind Pressure	30 m/s
Radome Material	ASA

iii. Radiation Pattern



Horizontal



Vertical